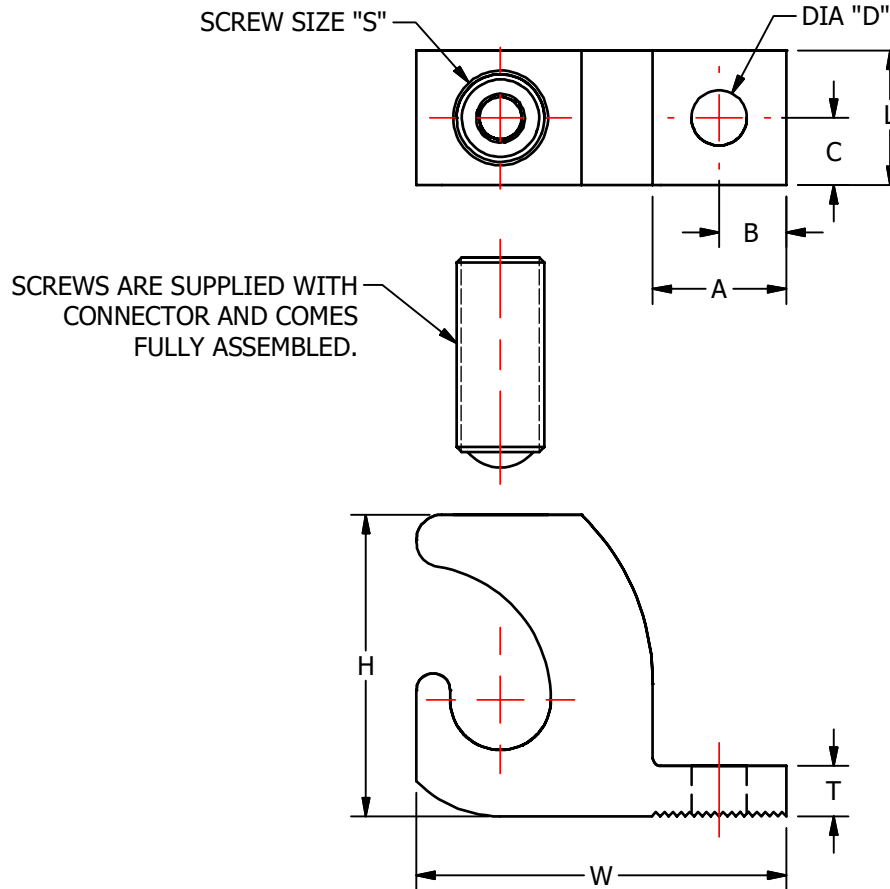
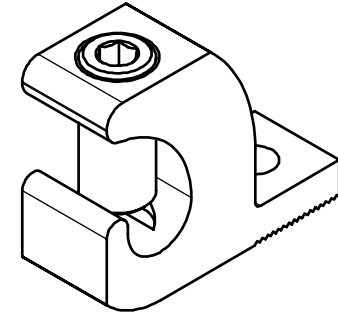


S.NO	CATALOG NUMBER	L	H	W	T	A	B	C	D	S	CONDUCTOR SIZE
1	CL-112S	.60 [15]	1.17 [30]	1.50 [38]	.23 [6]	.60 [15]	.30 [8]	.30 [8]	.27 [7]	3/8	1/0-14
2	CL-200S	.80 [20]	1.56 [40]	2 [51]	.30 [8]	.79 [20]	.40 [10]	.40 [10]	.33 [8]	9/16	3/0-6
3	CL-252S	.80 [20]	1.79 [46]	2.20 [56]	.30 [8]	.79 [20]	.40 [10]	.40 [10]	.33 [8]	9/16	250 MCM-6



					TO ORDER CMC PRODUCTS	DRAWN BY: TS	NAME OF PART:	CAT. NO.:
					UNITED STATES 1-513-860-4455	12-10-19	LAY-IN LUG ASSEMBLY	SEE TABLE
					CANADA 1-800-361-6975	CHECKED BY:	DWG NO:	A
					MEXICO 011-52-722-265-4400		C00497079-S (CHARTED)	
A	NEW DRAWING CREATED		12-10-19	TS	FOR PRODUCT INFO www.cmlugs.com	DRAWING NOT TO SCALE		SHEET NO: 1 OF 1
REV.	DESCRIPTION	ECN	DATE	INIT.				

THIS INFORMATION IS PROPRIETARY TO CONNECTOR MFG. CO. AND IS NOT TO BE DISCLOSED OUTSIDE OF CONNECTOR MFG. CO. WITHOUT A CONFIDENTIALITY AGREEMENT



CONNECTOR MANUFACTURING CO.

HAMILTON, OHIO

